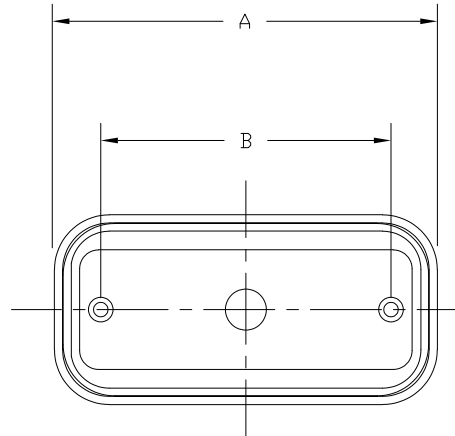
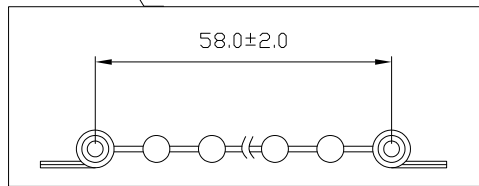
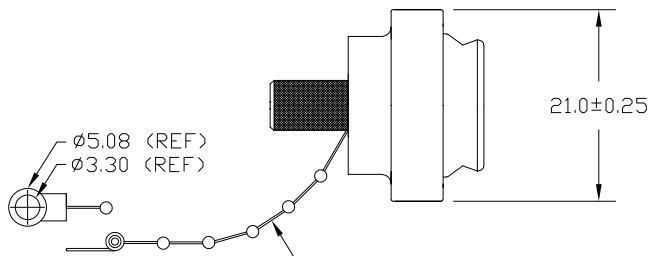
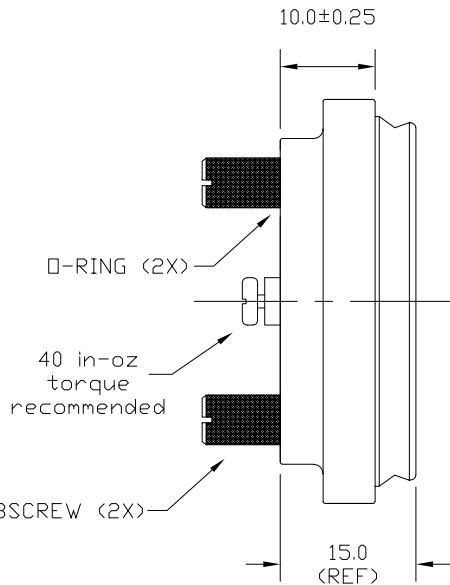


**MATERIAL & FINISH:**

BACKSHELL: ABS - UL HB RATED, BLACK COLOR  
 BUSHING & BAFFLE: SILICONE  
 THUMBSCREWS: BRASS, NICKEL PLATED  
 ABS TEMPERATURE: -0°C TO 80°C  
 SILICON TEMPERATURE: -35°C TO 116°C

MATING PARAMETERS:  
 RECOMMENDED MAX TORQUE: 40 in-oz  
 NOMINAL GASKET COMPRESSION: 0.055"



DIMENSIONS(mm)		
SIZE	A±0.25	B±0.25
9	42.0	25.0
15	50.3	33.3
25	64.0	47.0
37	80.5	63.4

SERIES \_\_\_\_\_ **967-YYY-CAP**

POSITIONS \_\_\_\_\_

009 (ALSO FITS 15P HIGH DENSITY)  
015 (ALSO FITS 26P HIGH DENSITY)  
025 (ALSO FITS 44P HIGH DENSITY)  
037 (ALSO FITS 62P HIGH DENSITY)

RoHS COMPLIANT



THESE DRAWINGS AND SPECIFICATIONS ARE THE PROPERTY OF NorComp AND SHALL NOT BE REPRODUCED, COPIED OR USED AS THE BASIS FOR THE MANUFACTURE OR SALE OF APPARATUS WITHOUT WRITTEN PERMISSION.

DRAWN:  
**P. JENKINS**

DATE:  
**07/21/2011**

UNITS = mm

DO NOT SCALE FROM DRAWING

**NorComp**

SCALE:  
 NTS

SHEET OF  
 1 1

REV  
 6

DWG NO.

**967-YYY-CAP**